



## PX-0095-GRI

V0

### GROVE Wall fixture



#### Description

Wall light for indoor and outdoor use.

For frontal lighting and downlighting. Suitable for installation in marine environments. Structure material: ABS. Structure finish: Grey, White, Black. Diffuser material: Polycarbonate. Diffuser finish: Transparent. Warranty: 5 Years. 11 Product net weight (Kg): 0.1951 Product length (mm): 801 Product height (mm): 2201 Product aperture (mm): 3511 Class II. IP: IP65. IK: IK10. LED. No. of lampholders or LEDs: 28. LED brand: SUNPU. Driver brand: DRIVER AC. Maximum power of light source: 3.1 W. Colour temperature: Neutral white - 4000K. Colour rendering index: 80. Hours of life: 36.000h L70B30. Photobiological risk: RG0. % de Flickering: 3.6 %. Real flux (lm): 236. Nominal flux (lm): 340. Lm/Real W: 64. Voltage and frequency range: 220-240 VAC. Voltage: 3.0 V. Intensity: 40 mA. Gear included: Yes, electronic. Total power: 3.7 W. Power factor: 0.54.



#### Finish

Grey  
White  
Black  
Transparent

#### Material

ABS  
Polycarbonate



#### TECHNICAL CHARACTERISTICS

##### Light source

Light source: LED SUNPU  
Output (W): 3.1 W  
Total power consumption (W): 3.7 W  
Color temperature: Neutral white - 4000K  
CRI: 80  
Real Lumen: 236  
Nominal Lumen: 340  
Qty Leds: 28  
Lm/Real W: 64  
Life Time: 36.000h L70B30  
Bin / Grup: W9  
Photobiological risk: RG0

##### GEAR

Brand: DRIVER AC  
Gear included: Yes, electronic  
Voltage / Frequency:  
100-240V/50-60Hz  
Power Factor: 0.54  
Flickering: 3.6 %

##### Luminaire

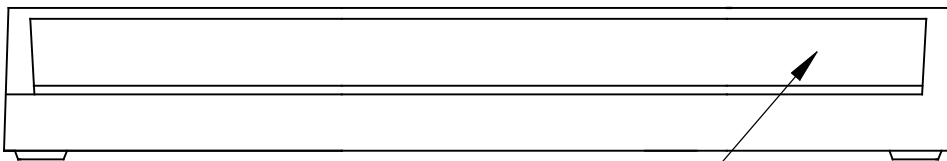
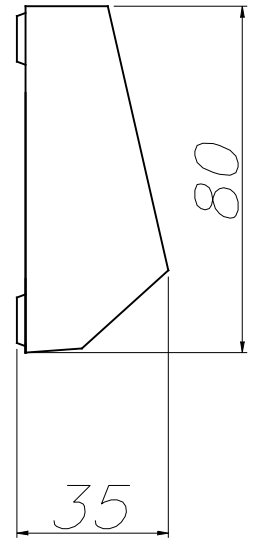
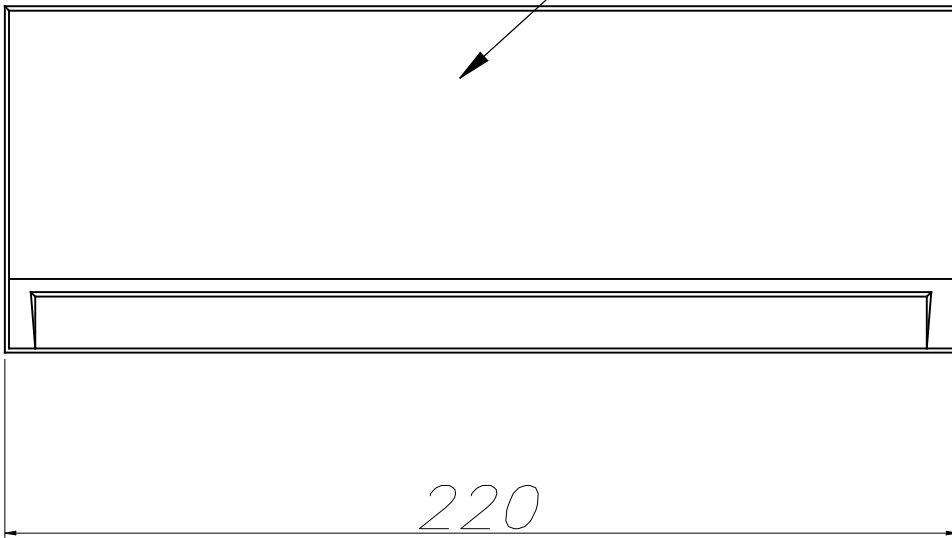
Recessed: No  
Seaside: Yes  
Uv Protection: NA  
Warranty: 5 Years

##### Logistics

Energy Efficiency: LED A++  
EAN Code: 8435381438371  
Net Weight (Kg): 0.195  
Weight in Kg (packaged): 0.270  
Packing: 230 x 45 x 90  
Masterbox: 24

The photograph may not match the reference exactly. Please read the product description to identify the finish.

POLICARBONATO + ABS  
POLYCARBONATE + ABS



POLICARBONATO TRANSPARENTE  
TRANSPARENT POLYCARBONATE

**INSTALLATION TEMPLATE  
PLANTILLA DE INSTALACIÓN**

