



## PX-0130-NEG

V1

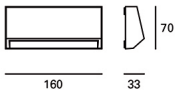
### GROVE



#### Description

Wall light for outdoor use.

For downlighting. Structure material: Polycarbonate + ABS. Structure finish: Black, Grey, White. Diffuser material: Polycarbonate. Diffuser finish: Transparent. Warranty: 5 Years. 11 Product net weight (Kg): 0.170 1 Product length (mm): 160 1 Product height (mm): 70 1 Product aperture (mm): 33 1 Class II. IP: IP65. IK: IK10. LED. No. of lampholders or LEDs: 20. LED brand: SUNPU. Driver brand: DRIVER AC. Maximum power of light source: 2.5 W. Colour temperature: Neutral white - 4000K. Colour rendering index: 80. Hours of life: 36.000h L70B30. Photobiological risk: RG0. % de Flickering: 4. Nominal flux (lm): 350. Voltage and frequency range: 220-240 VAC. Voltage: 6.2 V. Gear included: Yes, electronic. Multi-voltage gear included. Total power: 2.9 W. Power factor: 0.45.



#### Finish

Black  
Grey  
White  
Transparent

#### Material

Polycarbonate + ABS  
Polycarbonate



#### TECHNICAL CHARACTERISTICS

##### Light source

Light source: LED SUNPU  
Output (W): 2.5 W  
Total power consumption (W): 2.9 W  
Color temperature: Neutral white - 4000K  
CRI: 80  
Nominal Lumen: 350  
Qty Leds: 20  
Life Time: 36.000h L70B30  
Bin / Grup: WG8 o WG9  
Photobiological risk: RG0

##### GEAR

Brand: DRIVER AC  
Gear included: Yes, electronic  
Voltage / Frequency:  
100-240V/50-60Hz  
Power Factor: 0.45  
Flickering: 4

##### Luminaire

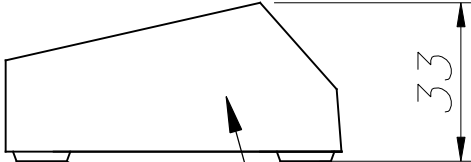
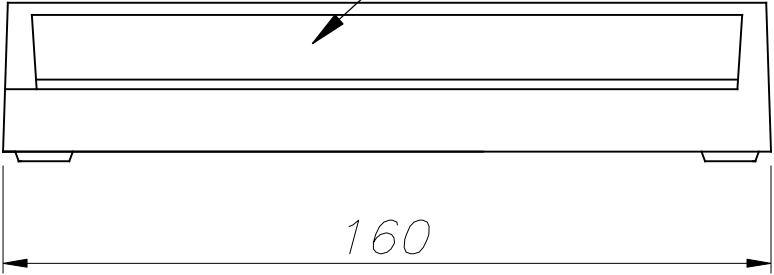
Warranty: 5 Years

##### Logistics

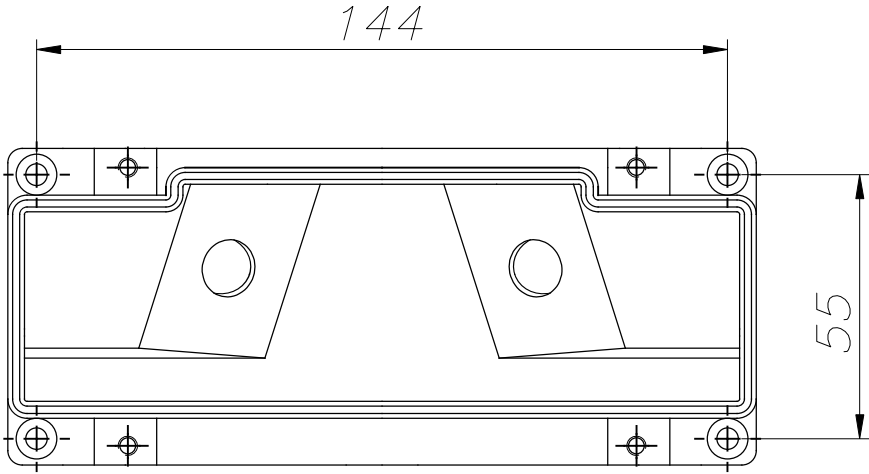
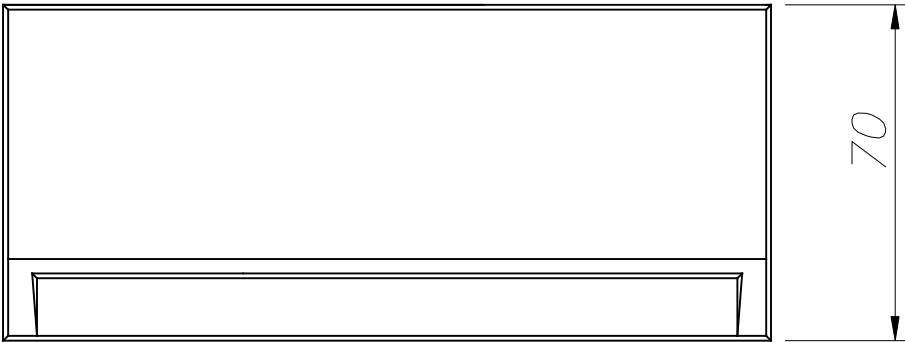
Energy Efficiency: LED A++  
Net Weight (Kg): 0.170  
Weight in Kg (packaged): 0.253  
Packing: 170 x 80 x 100  
Masterbox: 24

The photograph may not match the reference exactly. Please read the product description to identify the finish.

POLICARBONATO TRANSPARENTE  
TRANSPARENT POLYCARBONATE



PC+ABS  
PC+ABS



PLANTILLA DE INSTALACIÓN  
INSTALLATION TEMPLATE

